

Support Arm Fixing Kit

PRODUCT CODE

- 108.99.00.90

FOR USE WITH:

- All BD1999 series toilet seats installed with support arms



SPECIFICATIONS

- This guide applies to installation of support arms with any BD1999-series seat.
- Support arms are only intended for use as support for a person when they sit down or get up from a toilet.

IMPORTANT:

- * These instructions must be followed to achieve listed load ratings.
- ** Support arms cannot be installed without a toilet seat with a suitable hinge fitting.

WARNINGS: Special attentions to be paid on notes, photos, images, or drawings of assembly steps marked with the warning symbol.



CONTENTS

1	TECHNICAL DATA	1
2	TOOLS REQUIRED	1
3	PRE-INSTALLATION	2
4	INSTALLATION.....	2
5	TROUBLESHOOTING	4

1 TECHNICAL DATA

Maximum User Weight (ISO 17966:2016) (kg)	150
Maximum static load (centralised) (kg)	150
Maximum static load per arm (kg)	75

NOTE: Galvin Engineering continually strive to improve their products. Specifications may change without notice.

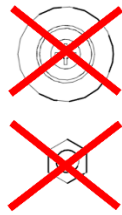
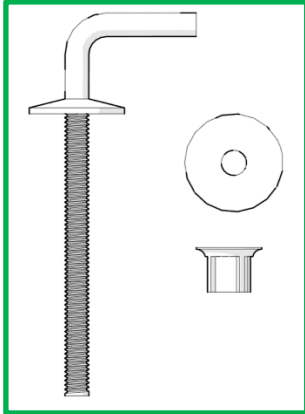
2 TOOLS REQUIRED

- 15mm wrench

3 PRE-INSTALLATION



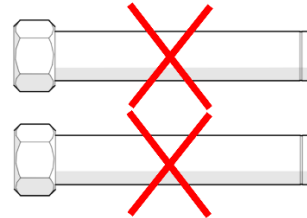
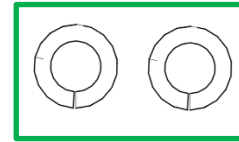
- Install toilet following instructions in included installation guides. Do not install seat or arms.
- Toilet **MUST** be securely fixed to the floor with floor screws or mounting bracket in line with manufacturer's instructions.
- Install requires the use of seat fittings and support arm fittings in combination with the 108.99.00.90 kit fittings (see below).



1. Open fittings provided with seat and set aside:

- 2x hinge rods
- 2x thin plastic washers
- 2x plastic spacers

Discard other components



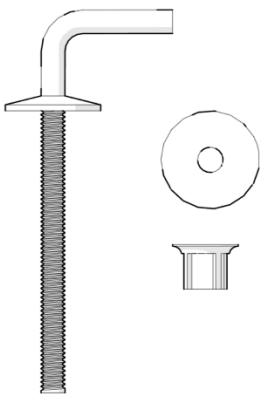
2. Open fittings provided with support arms and set aside:

- 2x split washers

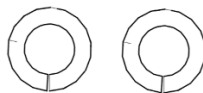
Discard other components

4 INSTALLATION

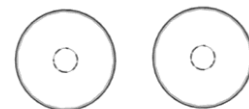
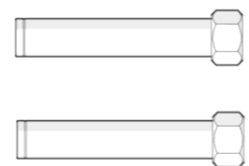
INSTALLATION COMPLIANCE: Galvin Engineering products must be installed in accordance with these installation instructions and in accordance with AS/NZS 3500, the PCA and your local regulatory requirements. Water and/or electrical supply conditions must also comply to the applicable national and/or state standards. Failing to comply with these provisions shall void the product warranty and may affect the performance of the product.



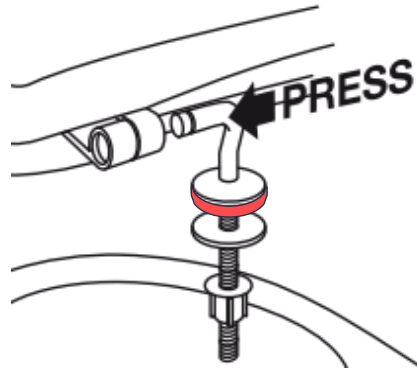
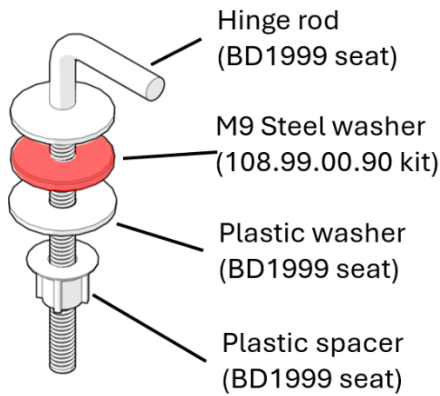
Seat



Support arms



108.99.00.90

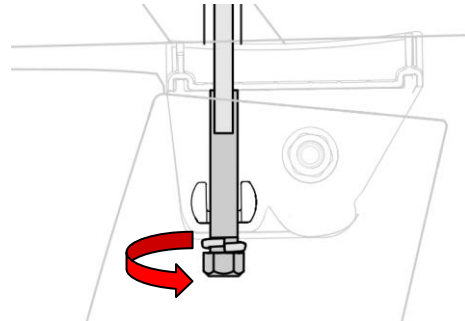
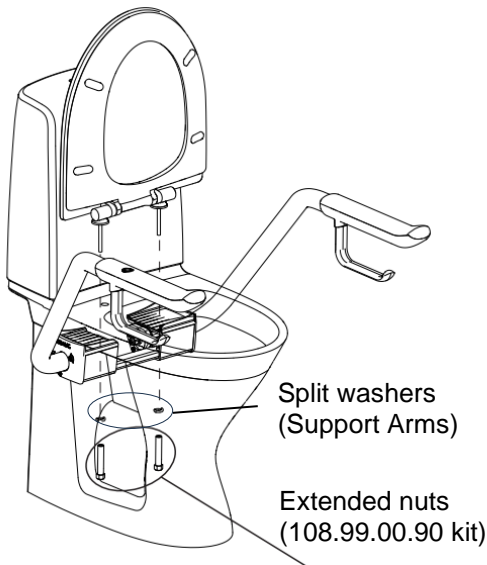


1. Assemble the hinge fittings using components provided with the seat and the M9 steel washers from this kit.
2. Ensure threaded steel washer is tightened up to the hinge rod collar.

3. Press fit hinge fittings into seat hinges.
4. Assemble arms to pan following arms installation guide.



Threaded washer must be installed below hinge collar to achieve arm load ratings.



5. Install seat with hinge fittings passing through pan and into arms, ensuring all elements are aligned.
6. Secure from below with steel extended nuts and split washers.

7. Tighten extended nuts until washer is compressed and arms hold firmly, do not overtighten.



Extended nuts may settle slightly during initial use. Tighten 2 weeks after install, then annually or as required during maintenance.

5 TROUBLESHOOTING

PROBLEM	CAUSE	RECTIFICATION
Extended nut does not connect to hinge thread	Through hole is not aligned	Adjust arm position to match up to curve of seat and push hinges down from above to locate nut on thread.
Support arms are loose/unstable	Mounting fittings have become loose	Tighten the extended nut fittings – see installation instructions above, or product care instructions.
See Installation & Product Care documents for Support Arms, Toilet, and Seat for further troubleshooting and maintenance information.		

WARRANTY

Galvin Engineering products are covered under our Manufacturer's Warranty. Galvin Engineering products must be installed in accordance with the installation instructions and in accordance with AS 3500 and NCC Volume Three, relevant Australian Standards and local authorities applicable to product being installed. Water and electrical supply conditions must also comply to the applicable national and/or state standards, failing to comply with these provisions may void the product warranty and affect performance of the product.

Please visit www.galvinengineering.com.au to view the full warranty, our Installation Compliance and Maintenance & Cleaning information as well as any other additional information.